



DS-A1 Series Solar Module

www.geokingsolar.com

Geoking DS-A1 series Panels are made with superior poly-crystalline solar cells with the peak voltage of 18 V and range of 5-100 Watt.

Front: High-transmission 3.2mm tempered glass
Back: TPT or TPE
Frame: Clear anodized aluminum
Laminate: EVA

Operation Temperature Range: -40°C~85°C
NOCT: 48°C
Temperature coefficients of Imp: +0.1 %/°C
Temperature coefficients of Vmp: -0.38 %/°C
Maximum System Voltage: DC715/1000V
Diode: 40W to 100W panels have diode in conjunction box.



Module	Pm (Wp) ±5%	Vmp (V)	Imp (A)	Voc (V)	Isc (A)	Size (mm) (inch)	Weight (kg/lb)
DS-A1-05	5W	17.3	0.29	21.6	0.32	300x190x25(mm) 11.8x7.5x1.0(in)	0.8(kg) 1.8(lb)
DS-A1-10	10W	17.3	0.58	21.6	0.64	360x270x25(mm) 14.2x10.6x1.0(in)	1.2(kg) 2.6(lb)
DS-A1-20	20W	17.3	1.16	21.6	1.29	520x350x30(mm) 20.5x13.8x1.2(in)	2.5(kg) 5.5(lb)
DS-A1-40	40W	17.3	2.31	21.6	2.57	660x510x30(mm) 26.0x20.1x1.2(in)	4.2(kg) 9.3(lb)
DS-A1-65	65W	17.7	3.68	21.8	4.00	1010x510x35(mm) 39.8x20.1x1.4(in)	6.2(kg) 13.7(lb)
DS-A1-80	80W	17.3	4.63	21.6	5.14	950x670x35(mm) 37.4x26.4x1.4(in)	7.5(kg) 16.5(lb)
DS-A1-100	100W	17.3	5.79	21.6	6.43	1200x670x35(mm) 47.2x26.4x1.4(in)	9.3(kg) 20.5(lb)

(Note: Specifications are subject to change without notice)



Q L Enterprises, Inc.

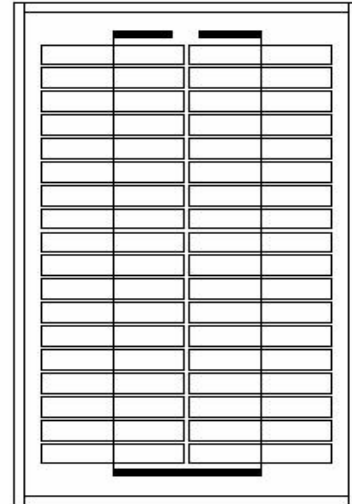
2865 N Berkeley Lake Road NW, Suite 2, Duluth, GA 30096
Tel.: (678)957-1187 Fax: (678)957-1159 email: sales@geosolution.com



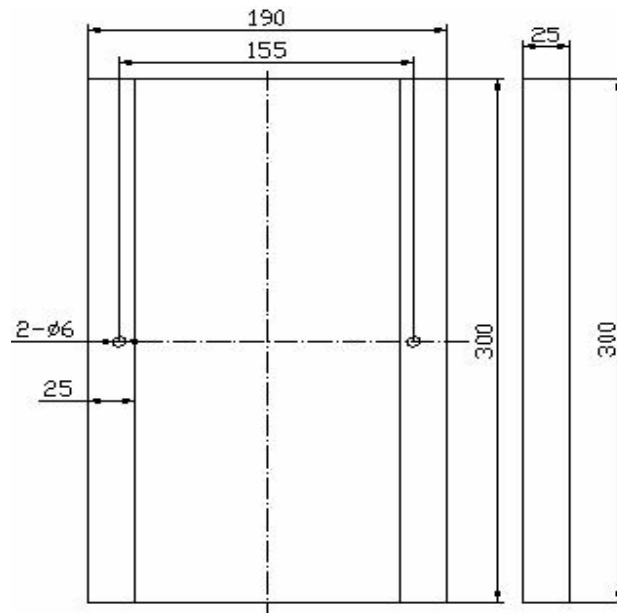
DS-A1-05 Solar Module

www.geokingsolar.com

Dimension	300x190x25(mm); 11.8x7.5x1(inch)
Solar Cell	German poly-crystalline silicon cell
Laminate	Glass/EVA/TPT (tedlar/pet/tedlar) or TPE
Front	High-transmission 3.2mm tempered glass
Back	TPT/TPE
Frame	Clear anodized aluminum frame
Output	Junction box
Weight	0.7kg; 1.54 lbs



Module	Rated Power (Wp) ±5%	Rated Voltage (Vmp)	Rated Current (Imp)	Open circuit voltage (Voc)	Short Circuit Voltage (Isc)
DS-A1-05	5W	17.3V	0.29A	21.6V	0.32A



Operation Temperature Range: $-40^{\circ}\text{C} \sim 85^{\circ}\text{C}$
 NOCT: $48^{\circ}\text{C} \pm 3^{\circ}\text{C}$
 Temperature coefficients of I_{mp} : $+0.1\% / ^{\circ}\text{C}$
 Temperature coefficients of V_{mp} : $-0.38\% / ^{\circ}\text{C}$
 Maximum System Voltage: DC715V
 STC: $1000\text{W}/\text{m}^2$, 25°C , AM1.5

(Note: Specifications are subject to change without notice)



Q L Enterprises, Inc.

2865 N Berkeley Lake Road NW, Suite 2, Duluth, GA 30096

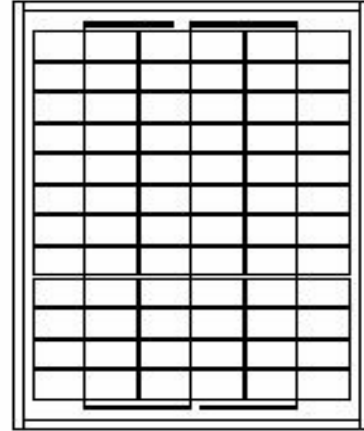
Tel.: (678)957-1187 Fax: (678)957-1159 email: sales@geosolution.com



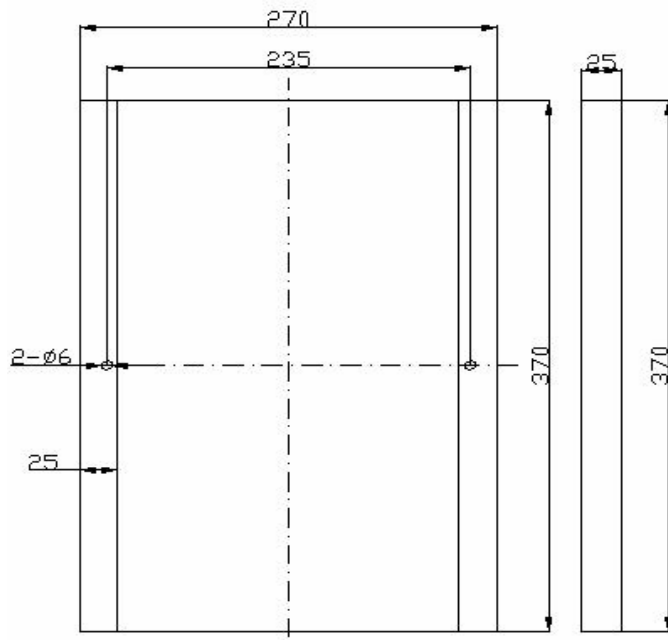
DS-A1-10 Solar Module

www.geokingsolar.com

Dimension	370x270x25(mm); 14.6x10.6x1(inch)
Solar Cell	German poly-crystalline silicon cell
Laminate	Glass/EVA/TPT (tedlar/pet/tedlar) or TPE
Front	High-transmission 3.2mm tempered glass
Back	TPT/TPE
Frame	Clear anodized aluminum frame
Output	Junction box
Weight	1.2kg; 2.64 lbs



Module	Rated Power (Wp) ±5%	Rated Voltage (Vmp)	Rated Current (Imp)	Open circuit voltage (Voc)	Short Circuit Voltage (Isc)
DS-A1-10	10W	17.3V	0.58A	21.6V	0.64A



Operation Temperature Range: - 40°C~85°C
 NOCT: 48°C±3°C
 Temperature coefficients of Imp: + 0.1 %/°C
 Temperature coefficients of Vmp: - 0.38 %/°C
 Maximum System Voltage: DC715V
 STC: 1000W/m², 25°C, AM1.5

(Note: Specifications are subject to change without notice)



Q L Enterprises, Inc.

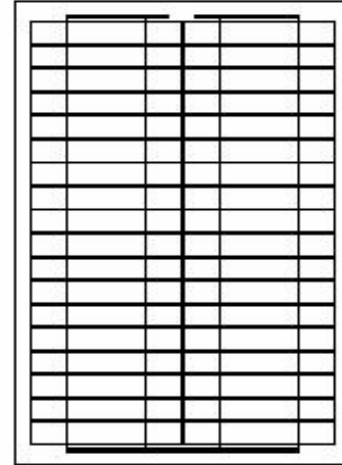
2865 N Berkeley Lake Road NW, Suite 2, Duluth, GA 30096
 Tel.: (678)957-1187 Fax: (678)957-1159 email: sales@geosolution.com



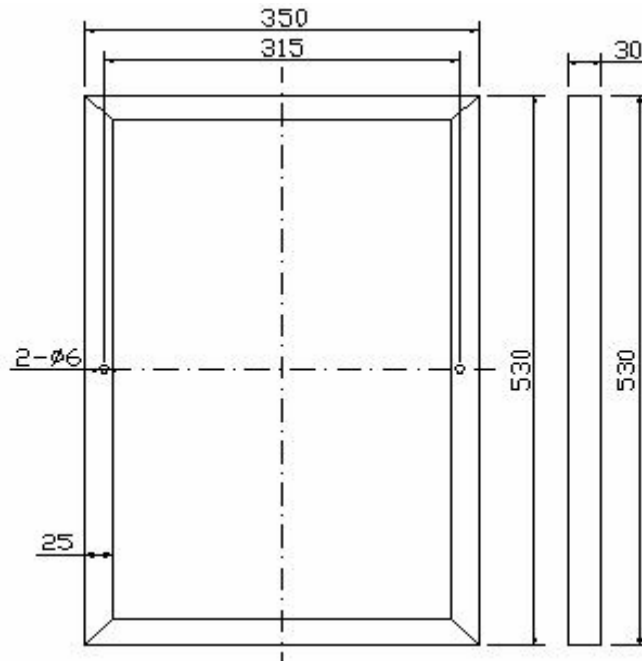
DS-A1-20 Solar Module

www.geokingsolar.com

Dimension	530x350x30(mm); 20.9x13.8x1.18(inch)
Solar Cell	German poly-crystalline silicon cell
Laminate	Glass/EVA/TPT (tedlar/pet/tedlar) or TPE
Front	High-transmission 3.2mm tempered glass
Back	TPT/TPE
Frame	Clear anodized aluminum frame
Output	Junction box
Weight	2.6kg; 5.7 lbs



Module	Rated Power (Wp) ±5%	Rated Voltage (Vmp)	Rated Current (Imp)	Open circuit voltage (Voc)	Short Circuit Voltage (Isc)
DS-A1-20	20W	17.3V	1.16A	21.6V	1.29A



Operation Temperature Range: $-40^{\circ}\text{C} \sim 85^{\circ}\text{C}$
 NOCT: $48^{\circ}\text{C} \pm 3^{\circ}\text{C}$
 Temperature coefficients of I_{mp} : $+0.1\% / ^{\circ}\text{C}$
 Temperature coefficients of V_{mp} : $-0.38\% / ^{\circ}\text{C}$
 Maximum System Voltage: DC715V
 STC: $1000\text{W}/\text{m}^2$, 25°C , AM1.5

(Note: Specifications are subject to change without notice)



Q L Enterprises, Inc.

2865 N Berkeley Lake Road NW, Suite 2, Duluth, GA 30096

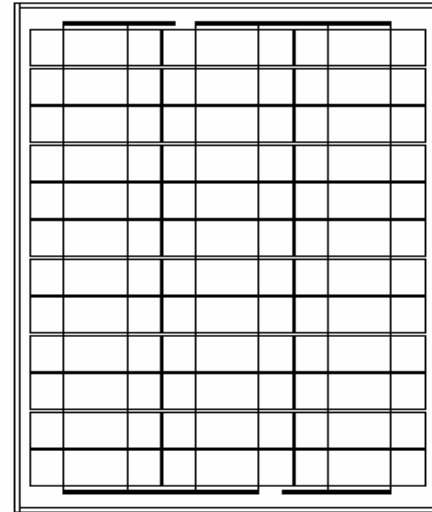
Tel.: (678)957-1187 Fax: (678)957-1159 email: sales@geosolution.com



DS-A1-40 Solar Module

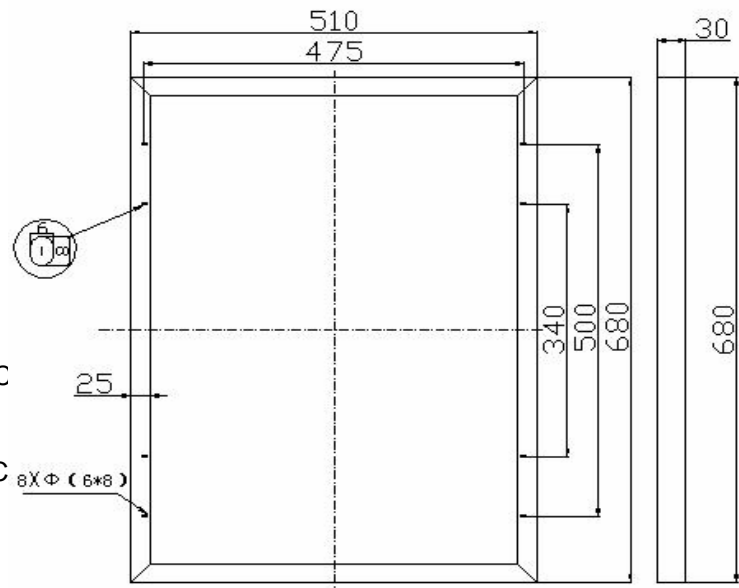
www.geokingsolar.com

Dimension	680x510x30(mm); 26.8x20.1x1.18(inch)
Solar Cell	German poly-crystalline silicon cell
Laminate	Glass/EVA/TPT (tedlar/pet/tedlar) or TPE
Front	High-transmission 3.2mm tempered glass
Back	TPT/TPE
Frame	Clear anodized aluminum frame
Output	Junction box
Weight	4.5kg; 9.9 lbs



Module	Rated Power (Wp) ±5%	Rated Voltage (Vmp)	Rated Current (Imp)	Open circuit voltage (Voc)	Short Circuit Voltage (Isc)
DS-A1-40	40W	17.3V	2.31A	21.6V	2.57A

Operation Temperature Range: - 40°C~85°C
 NOCT: 48°C±3°C
 Temperature coefficients of Imp: + 0.1 %/°C
 Temperature coefficients of Vmp: - 0.38 %/°C
 Maximum System Voltage: DC715V
 STC: 1000W/m², 25°C, AM1.5
 Diode: Installed in conjunction box.



(Note: Specifications are subject to change without notice)



Q L Enterprises, Inc.

2865 N Berkeley Lake Road NW, Suite 2, Duluth, GA 30096

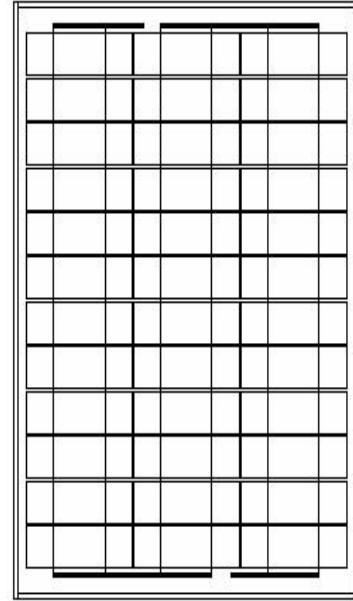
Tel.: (678)957-1187 Fax: (678)957-1159 email: sales@geosolution.com



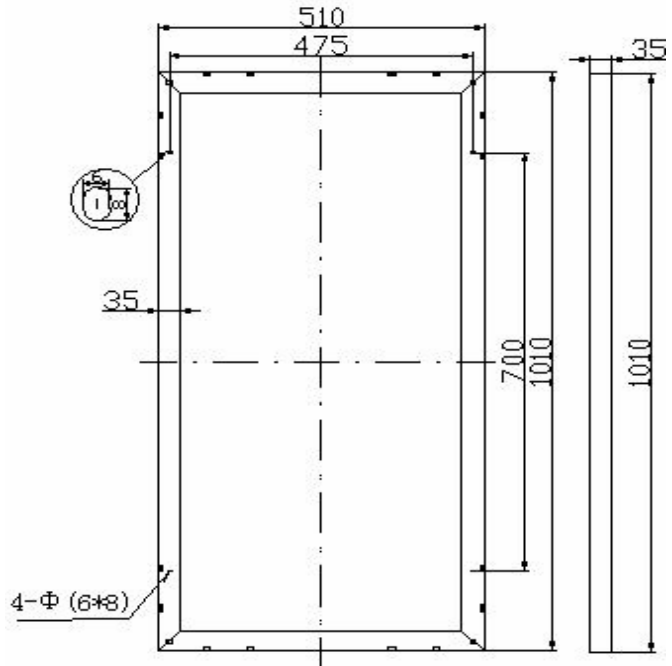
DS-A1-65 Solar Module

www.geokingsolar.com

Dimension	1010x510x35(mm); 39.8x20.1x1.38(inch)
Solar Cell	German poly-crystalline silicon cell
Laminate	Glass/EVA/TPT (tedlar/pet/tedlar) or TPE
Front	High-transmission 3.2mm tempered glass
Back	TPT/TPE
Frame	Clear anodized aluminum frame
Output	Junction box
Weight	6.2kg; 13.64 lbs



Module	Rated Power (Wp) ±5%	Rated Voltage (Vmp)	Rated Current (Imp)	Open circuit voltage (Voc)	Short Circuit Voltage (Isc)
DS-A1-65	65W	17.3V	3.76A	21.6V	4.18A



Operation Temperature Range: - 40°C~85°C
 NOCT: 48°C±3°C
 Temperature coefficients of I_m : + 0.1 %/°C
 Temperature coefficients of V_m : - 0.38 %/°C
 Maximum System Voltage: DC715V
 STC: 1000W/m², 25°C, AM1.5
 Diode: Installed in conjunction box.

(Note: Specifications are subject to change without notice)



Q L Enterprises, Inc.

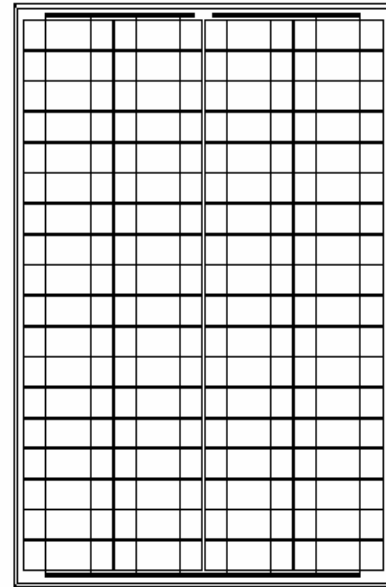
2865 N Berkeley Lake Road NW, Suite 2, Duluth, GA 30096
 Tel.: (678)957-1187 Fax: (678)957-1159 email: sales@geosolution.com



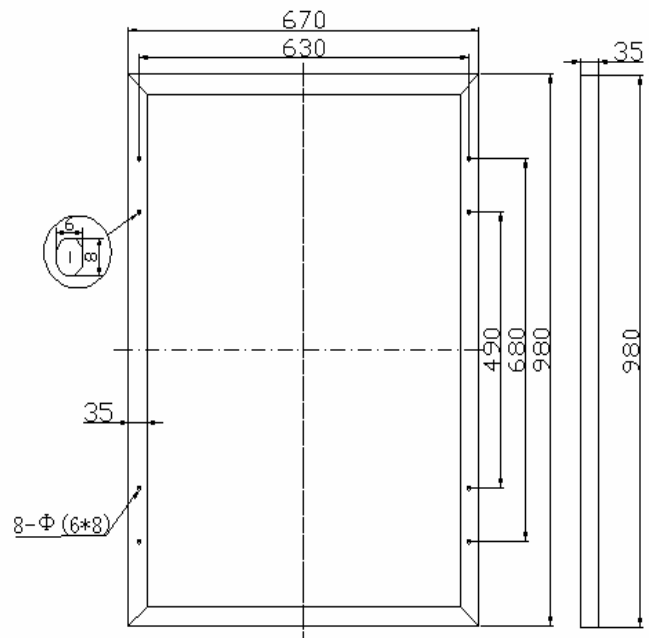
DS-A1-80 Solar Module

www.geokingsolar.com

Dimension	980x670x35(mm); 38.6x26.4x1.38(inch)
Solar Cell	German poly-crystalline silicon cell
Laminate	Glass/EVA/TPT (tedlar/pet/tedlar) or TPE
Front	High-transmission 3.2mm tempered glass
Back	TPT/TPE
Frame	Clear anodized aluminum frame
Output	Junction box
Weight	7.74kg; 17.03 lbs



Module	Rated Power (Wp) ±5%	Rated Voltage (Vmp)	Rated Current (Imp)	Open circuit voltage (Voc)	Short Circuit Voltage (Isc)
DS-A1-80	80W	17.3V	4.63A	21.6V	5.14A



Operation Temperature Range: $-40^{\circ}\text{C} \sim 85^{\circ}\text{C}$
 NOCT: $48^{\circ}\text{C} \pm 3^{\circ}\text{C}$
 Temperature coefficients of I_m : $+0.1\% / ^{\circ}\text{C}$
 Temperature coefficients of V_m : $-0.38\% / ^{\circ}\text{C}$
 Maximum System Voltage: DC715V
 STC: $1000\text{W}/\text{m}^2$, 25°C , AM1.5
 Diode: Installed in conjunction box.

(Note: Specifications are subject to change without notice)



Q L Enterprises, Inc.

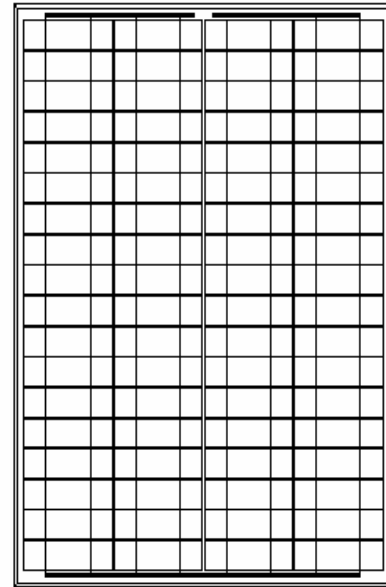
2865 N Berkeley Lake Road NW, Suite 2, Duluth, GA 30096
 Tel.: (678)957-1187 Fax: (678)957-1159 email: sales@geosolution.com



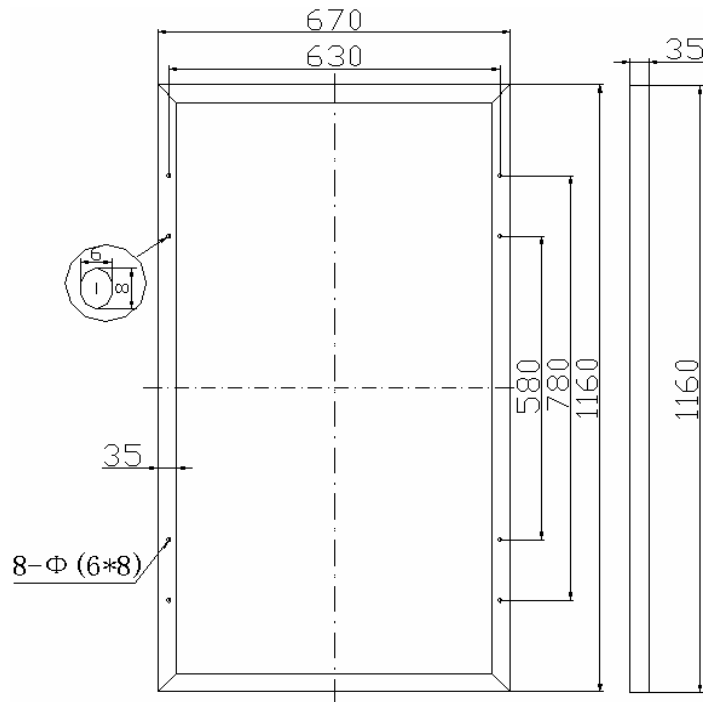
DS-A1-100 Solar Module

www.geokingsolar.com

Dimension	1160x670x35(mm); 45.7x26.4x1.38(inch)
Solar Cell	German poly-crystalline silicon cell
Laminate	Glass/EVA/TPT (tedlar/pet/tedlar) or TPE
Front	High-transmission 3.2mm tempered glass
Back	TPT/TPE
Frame	Clear anodized aluminum frame
Output	Junction box
Weight	8.9kg; 19.58lbs



Module	Rated Power (Wp) ±5%	Rated Voltage (Vmp)	Rated Current (Imp)	Open circuit voltage (Voc)	Short Circuit Voltage (Isc)
DS-A1-100	100W	17.3V	5.78A	21.6V	6.49A



Operation Temperature Range: - 40°C~85°C
 NOCT: 48°C±3°C
 Temperature coefficients of I_m : + 0.1 %/°C
 Temperature coefficients of V_m : - 0.38 %/°C
 Maximum System Voltage: DC715V
 STC: 1000W/m², 25°C, AM1.5
 Diode: Installed in conjunction box.

(Note: Specifications are subject to change without notice)



Q L Enterprises, Inc.

2865 N Berkeley Lake Road NW, Suite 2, Duluth, GA 30096

Tel.: (678)957-1187 Fax: (678)957-1159 email: sales@geosolution.com



DS-E Series Solar Module

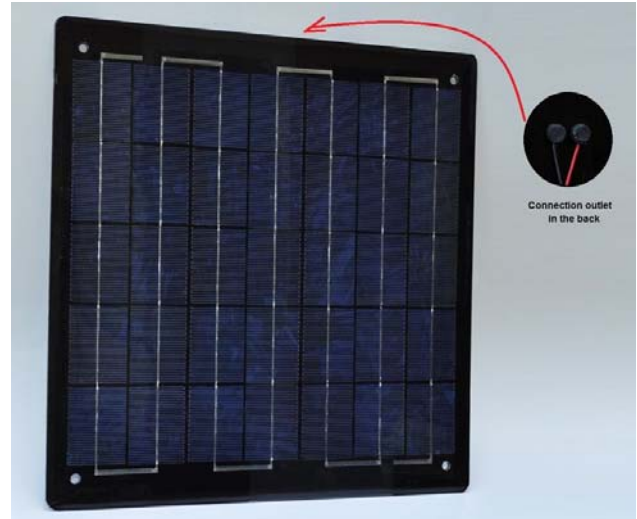
www.geokingsolar.com

Geoking DS-E series solar panels are made of high efficiency poly-crystalline silicon solar cells. They are non-glass, light weight, but strong, unbreakable.

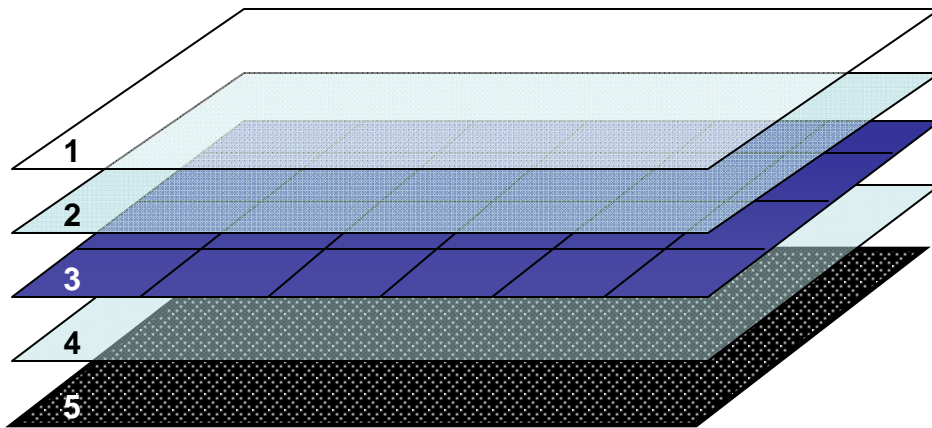
The cells are sandwiched by EVA, sit on an Epoxy plate and covered by a transparent Tedlar membrane. The layers are bonded together through a high-vacuum laminating process. There is no conjunction box in the back, but with 9ft pigtail cables.

The potential uses of these solar panels are unlimited. Perfect for the outdoors, travelers, areas with unreliable electric service and more.

The standard DS-E-20 20W panel is 410 x 410 x 5 (mm); 16.1 x 16.1 x 0.2 (inch).



Geoking DS-E Series Non-Glass Frameless Solar Panel Structure



1. TPT
2. EVA
3. Poly Crystallite Silicon Solar Cell
4. EVA
5. Epoxy

Q L Enterprises, Inc.

2865 N Berkeley Lake Road NW, Suite 2, Duluth, GA 30096

Tel.: (678)957-1187 Fax: (678)957-1159 email: sales@geosolution.com



DS-E Series Solar Module

www.geokingsolar.com

DS-E Unbreakable Solar Module Accessories



12V Cigarette Lighter Adapter

Charge a vehicle's battery directly through the cigarette lighter adapter with the 12 Volt Cigarette Lighter Adapter. Directly charge wireless electronic devices with the 12 Volt Female Cigarette Lighter Adapter.



12V Female Cigarette Lighter Adapter

Charge a vehicle's battery directly through the cigarette lighter adapter with the 12 Volt Cigarette Lighter Adapter. Directly charge wireless electronic devices with the 12 Volt Female Cigarette Lighter Adapter.



Daisy Chain - Connect Multiple DS-E Panels

You can choose daisy chain of 1-to-2, 1-to-3, or 1-to-4.



15 ft or 25 ft Extension Cord



15 ft or 25 ft Extension Cord with Alligator Clips



15 ft or 25 ft Extension Cord with O-ring Battery Terminal Connectors



Charge Controller, 100% Solid State, 4.5 Amps @ 12 Volts

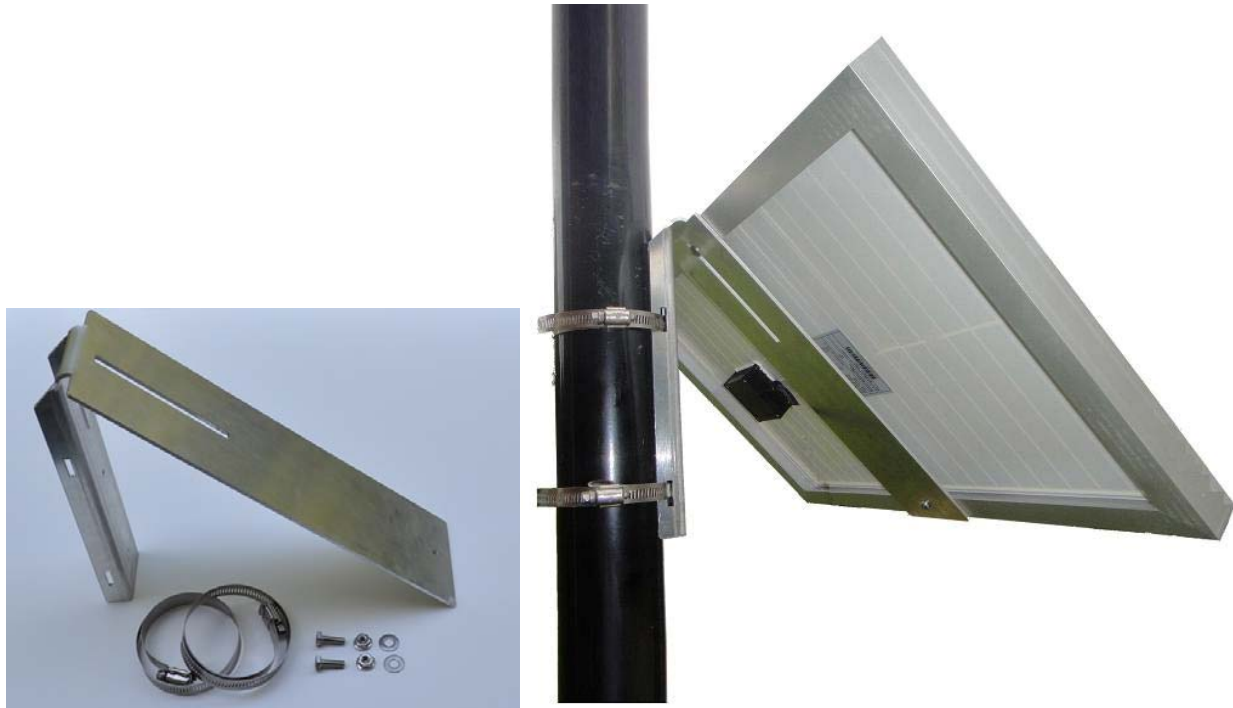
Q L Enterprises, Inc.

2865 N Berkeley Lake Road NW, Suite 2, Duluth, GA 30096

Tel.: (678)957-1187 Fax: (678)957-1159 email: sales@geosolution.com



Geoking Small Side-of-Pole Mount



Geoking Small Side-of-Pole Mount GK-SM14 is a simple and straightforward pole mounting solution for small solar photovoltaic (PV) needs. 45 degree angle supports installations of most locations.

GK-SM14 supports:

- ◆ PV panels with an inside extrusion dimension of between 8.5 inches to 12.7 inches.
- ◆ Pole diameters from 2.5 inches to 4.5 inches.

GK-SM14 mounting kit includes: GK-SM14 mount, two hose clamps, two Hex Bolts with hex nuts, flat and lock washer.

Q L Enterprises, Inc.

2865 N Berkeley Lake Road NW, Suite 2, Duluth, GA 30096

Tel.: (678)957-1187 Fax: (678)957-1159 email: sales@geosolution.com