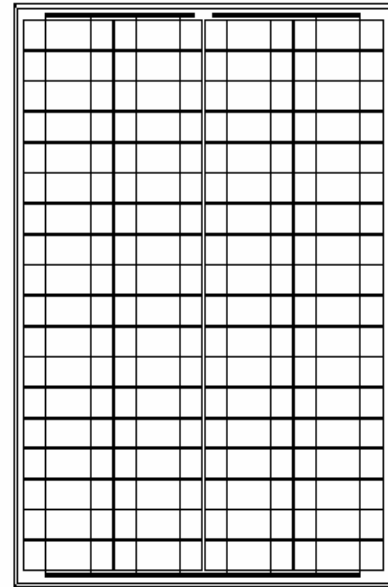




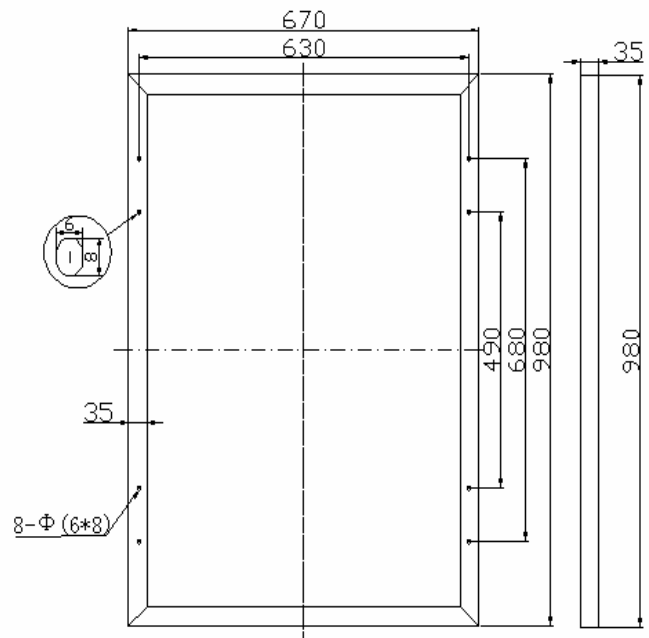
DS-A1-80 Solar Module

www.geokingsolar.com

Dimension	980x670x35(mm); 38.6x26.4x1.38(inch)
Solar Cell	German poly-crystalline silicon cell
Laminate	Glass/EVA/TPT (tedlar/pet/tedlar) or TPE
Front	High-transmission 3.2mm tempered glass
Back	TPT/TPE
Frame	Clear anodized aluminum frame
Output	Junction box
Weight	7.74kg; 17.03 lbs



Module	Rated Power (Wp) ±5%	Rated Voltage (Vmp)	Rated Current (Imp)	Open circuit voltage (Voc)	Short Circuit Voltage (Isc)
DS-A1-80	80W	17.3V	4.63A	21.6V	5.14A



Operation Temperature Range: - 40°C~85°C
 NOCT: 48°C±3°C
 Temperature coefficients of I_m : + 0.1 %/°C
 Temperature coefficients of V_m : - 0.38 %/°C
 Maximum System Voltage: DC715V
 STC: 1000W/m², 25°C, AM1.5
 Diode: Installed in conjunction box.

(Note: Specifications are subject to change without notice)



Q L Enterprises, Inc.

2875 N Berkeley Lake Road NW, Suite 8, Duluth, GA 30096
 Tel.: (678)957-1187 Fax: (678)957-1159 email: sales@geokingsolar.com